

445nm~450nm 3W~3.5W TO5 Laser Diode| High Power LD With 9mm Package |Blue Laser Diode

450nm LD| 3.5W Output Power | 9mm TO5 Package

WSLD-445-3500m-2

Wavespectrum Laser Group.

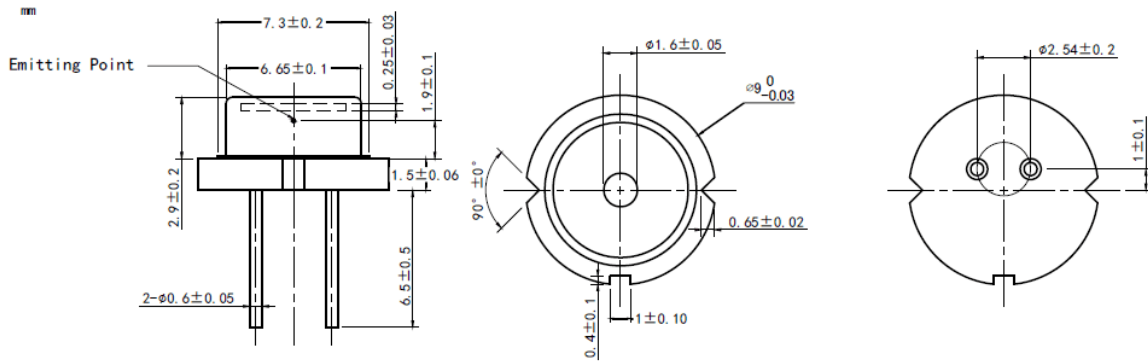
www.wavespectrum-laser.com

en.wavespectrum-laser.com.cn

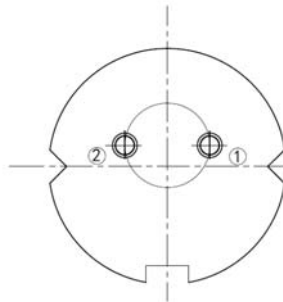
445nm Laser Diode		3.5W/TO5	
PARAMETER	SYMBOL	VALUE	UNIT
Reverse Voltage	$V_r$	2.0	V
Operating Temperature	$T_{op}$	0~+60	°C
Storage Temperature	$T_{stg}$	-40~+85	°C
Lead soldering temperature (10 sec.)	$T_{is}$	260	°C
<b>Features:</b> <ul style="list-style-type: none"> <li>● 445nm</li> <li>● 3.5W Output Power</li> <li>● TO5 Package</li> <li>● Long Lifetime</li> </ul>			
<b>Applications:</b> <ul style="list-style-type: none"> <li>● Medical Laser Treatment</li> <li>● Laser Indicator</li> <li>● Others</li> </ul>			
<b>Specifications</b>		<b>WSLD-445-3500m-2</b>	
		Min	Type
Center Wavelength@25°C		440nm	445nm
Spectral Width (FWHM)		3.0nm	
Output Power		----	3.5W
Recommended Operating Temperature		25°C	
Beam Divergence		-----	15° <sub>⊥</sub> x 40° <sub>//</sub>
Monitor Current		----	
Slope Efficiency		----	1.5W/A
Threshold Current (Typ.)		----	0.2A
Operating Current (Typ.)		----	2.8A
Operating Voltage		----	4.5V
Package Style		TO5 (9mm)	



### Package View



### PIN Bottom View:



1	LD(+)
3	LD(-)

Electrically shorten LD module and store in non-extreme conditions.  
 Suggest using the constant current power supply.

