

445nm~450nm 4W~4.5W TO5 Laser Diode| High Power LD With 9mm Package |Blue Laser Diode

450nm LD| 4.5W Output Power | 9mm TO5 Package | With Flat Window

WSLD-445-4500m-2

Wavespectrum Laser Group.

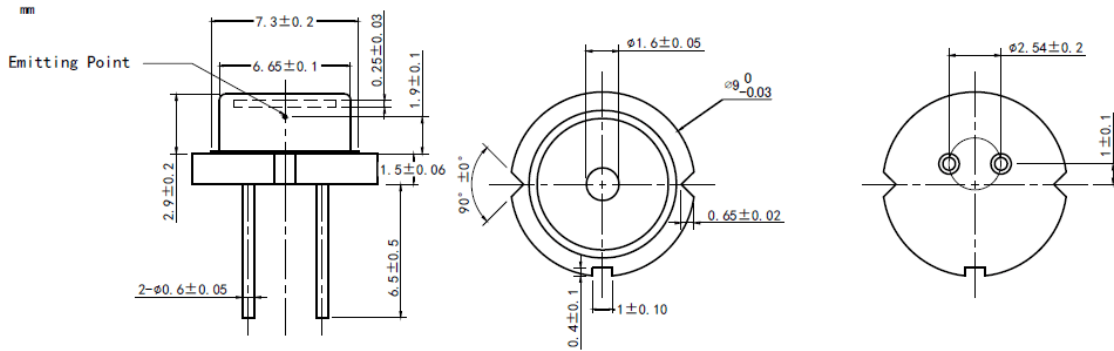
www.wavespectrum-laser.com

en.wavespectrum-laser.com.cn

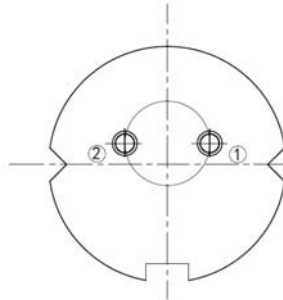
445nm Laser Diode		4.5W/TO5	
PARAMETER	SYMBOL	VALUE	UNIT
Reverse Voltage	V_r	2.0	V
Operating Temperature	T_{op}	0~+60	°C
Storage Temperature	T_{stg}	-40~+85	°C
Lead soldering temperature (10 sec.)	T_{is}	260	°C
Features: <ul style="list-style-type: none"> ● 445nm ● 4.5W Output Power ● TO5 Package ● Long Lifetime 			
Applications: <ul style="list-style-type: none"> ● Medical Laser Treatment ● Laser Indicator ● Others 			
Specifications		WSLD-445-4500m-2	
		Min	Type
Center Wavelength@25°C		±5nm	450nm
Spectral Width (FWHM)		3.0nm	
Output Power		4.0W	4.5W
Recommended Operating Temperature		25°C	
Beam Divergence		----	15° _⊥ x 45° _{//}
Monitor Current		----	
Slope Efficiency		----	1.6W/A
Threshold Current (Typ.)		----	0.3A
Operating Current (Typ.)		----	3.0A
Operating Voltage		----	4.5V
Package Style		TO5 (9mm)	



Package View



PIN Bottom View:



1	LD(+)
3	LD(-)

Electrically shorten LD module and store in non-extreme conditions.
 Suggest using the constant current power supply.

