


445nm~450nm 4W TO5 Laser Diode with Square Beam | TO5 9mm Package |Blue Laser Diode

450nm LD| 4W Output Power | 9mm TO5 Package | With FAC Lens | Linear Beam Optional

WSLD-445-004-2-FAC

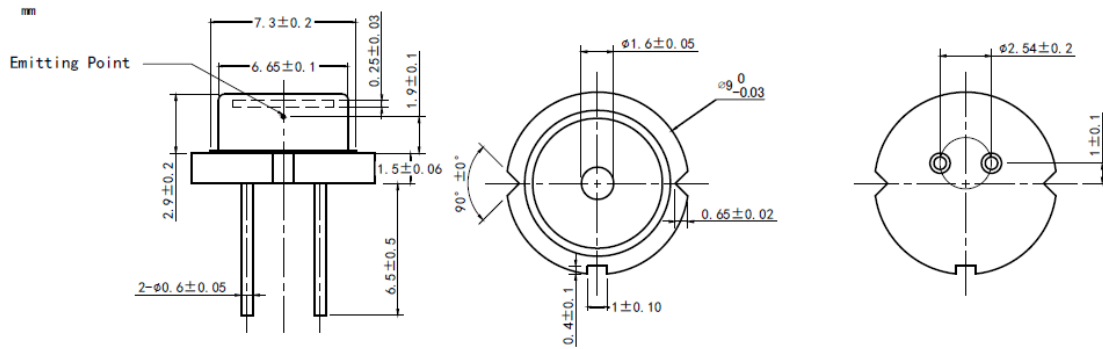
Wavespectrum Laser Group.

www.wavespectrum-laser.com

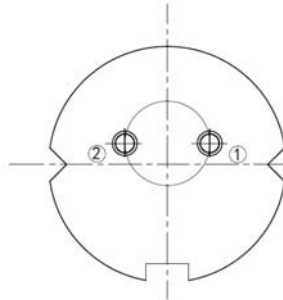
445nm Laser Diode		4W/TO5		en.wavespectrum-laser.com.cn	
PARAMETER	SYMBOL	VALUE	UNIT		
Reverse Voltage	V_r	2.0	V		
Operating Temperature	T_{op}	0~+60	°C		
Storage Temperature	T_{stg}	-40~+85	°C		
Lead soldering temperature (10 sec.)	T_{is}	260	°C		
Features: <ul style="list-style-type: none"> 445nm 4W Output Power TO5 Package With FAC Lens 					
Applications: <ul style="list-style-type: none"> Medical Laser Treatment Laser Show Others 					
Specifications		WSLD-445-004-2-FAC			
		Min	Type	Max	
Center Wavelength@25°C		±5nm	450nm	±15nm	
Spectral Width (FWHM)		3.0nm			
Output Power		----	4.0W	----	
Recommended Operating Temperature		25°C			
Beam	Beam Divergence (FWHM)	----	10°± x 10°//	13°± x 13°//	
	Beam Shape	Square Beam (1:1)			
Linear Shape Beam(2°± x 10°//,1:5)		Optional			
Slope Efficiency		----	1.6W/A	----	
Threshold Current (Typ.)		----	0.3A	0.6A	
Operating Current (Typ.)		----	3.0A	3.3A	
Operating Voltage		----	4.5V	5.5V	
Package Style		TO5 (9mm)			



Package View



PIN Bottom View:



1	LD(+)
3	LD(-)

Electrically shorten LD module and store in non-extreme conditions.
 Suggest using the constant current power supply.

