
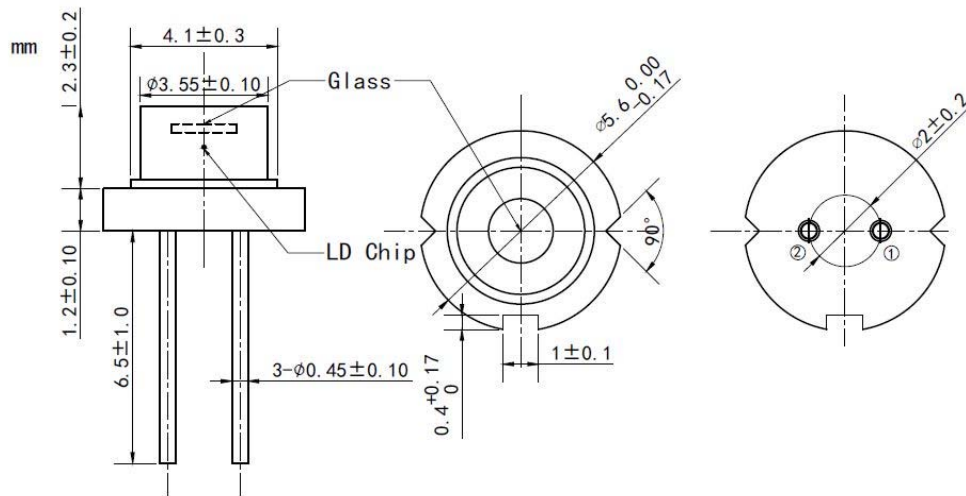


**405nm 300mW Multi-mode Laser Diode|0.3W High Power LD**
**405nm LD| 300mW Output Power|5.6 mm Package | Violet LD | Multimode Laser Diode**
**WSLD-405-300m-1**
**Wavespectrum Laser Group**
**www.wavespectrum-laser.com**

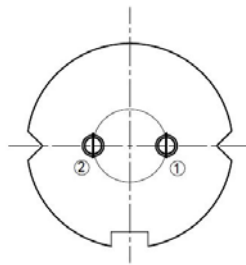
405nm Laser Diode		300mW/TO18		Wavespectrum Laser Group	
PARAMETER	SYMBOL	VALUE	UNIT		
Reverse Voltage	$V_r$	2.0	V		
Operating Temperature	$T_{op}$	0 ~ +50	°C		
Storage Temperature	$T_{stg}$	-40 ~ +85	°C		
Lead soldering temperature (10 sec.)	$T_{is}$	260	°C		
<b>Features:</b> <ul style="list-style-type: none"> <li>● 405nm</li> <li>● High Output Power</li> <li>● 5.6mm Package</li> <li>● Multimode Laser Diode</li> </ul>					
<b>Applications:</b> <ul style="list-style-type: none"> <li>● Medical Laser Treatment</li> <li>● Printing</li> <li>● Others</li> </ul>					
<b>Specifications</b>		<b>WSLD-405-300m-1</b>			
		Min	Type	Max	
Center Wavelength@25°C		±5nm	405nm	±10nm	
Spectral Width (FWHM)		2.0nm			
Output Power (CW)		----	300mW	----	
Beam Divergence (FWHM)		----	40° <sub>⊥</sub> x 15° <sub>//</sub>	45° <sub>⊥</sub> x 21° <sub>//</sub>	
Threshold Current (Typ.)		----	130mA	200mA	
Operating Current (Typ.)		----	340mA	360mA	
Operating Voltage		----	4.8V	5.5V	
Slope Efficiency		----	1.6mW/mA	----	
Recommended Operating Temperature		25 °C			
Package Style		5.6mm			



### TO18 (5.6mm) Package View



### PIN Bottom View



1	LD(+)
2	LD(-)

Electrically shorten LD module and store in non-extreme conditions.  
Suggest using the constant current power supply.

