

**1550nm 20mW DFB laser diodes | TO18 5.6mm LD | With Flat Window**
**1550nm 20mW Single Mode LD**

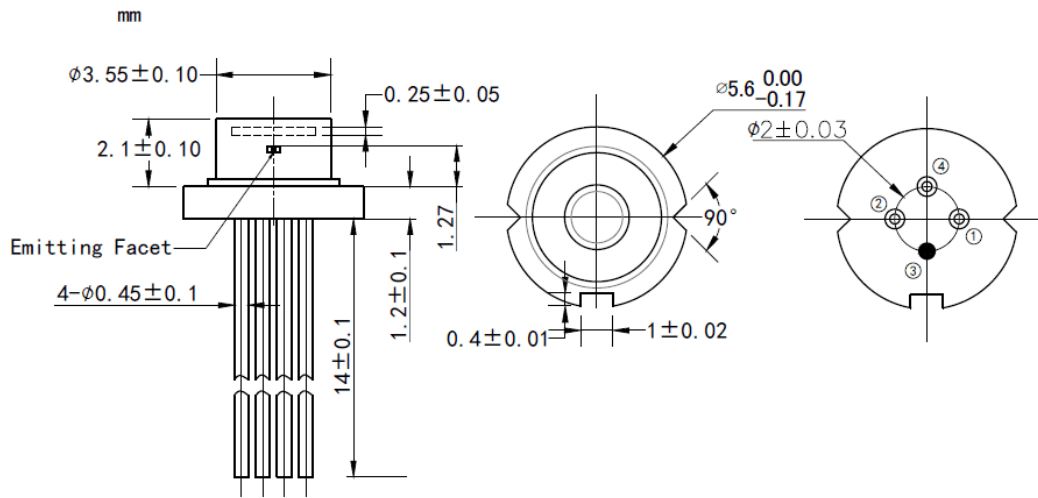
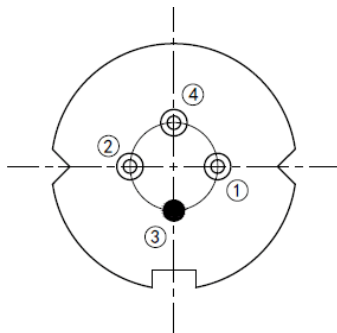
WSLD-1550-020m-1-PD-F

Wavespectrum laser Group

[www.wavespectrum-laser.com](http://www.wavespectrum-laser.com)

1550nm Laser Diode	20mW	Single mode /DFB	<a href="http://en.wavespectrum-laser.com.cn">en.wavespectrum-laser.com.cn</a>
Reverse Voltage	$V_r$	2.0	V
Operating Temperature	$T_{op}$	-20~+45	°C
Storage Temperature	$T_{stg}$	-40~+85	°C
Lead soldering temperature (10 sec.)	$T_{is}$	260	°C
<b>Features:</b> <ul style="list-style-type: none"> <li>● 1550nm</li> <li>● Single Mode Beam</li> <li>● DFB LD</li> <li>● With Flat window</li> <li>● Built-in PD</li> </ul>			
<b>Applications:</b> <ul style="list-style-type: none"> <li>● Optical Fiber Communication</li> <li>● Free-space Optical Communication</li> </ul>			
<b>Specifications</b>	<b>WSLD-1550-020m-1-PD-F</b>		
Center Wavelength@25°C	1550+/-10nm		
Output Power	20mW		
Spectral Width (FWHM)	<3nm		
Laser Type	DFB		
Recommend Operating Temperature	25°C		
Beam Divergence (FWHM)	20°± x 9° //		
Threshold Current (Typ.)	10mA		
Operating Current (Typ.)	90mA		
Operating Voltage	1.4V		
Monitor Current	0.5mA		
Package Style	TO18		
Window Type	Flat Window		



**Package View:**

**PIN Bottom View (A-Type):**


PIN 1	PD (+)
PIN 2	LD (-)
PIN 3	LD (+), CASE
PIN 4	PD (-)

Electrically shorten LD module and store in non-extreme conditions.

Suggest using the constant current power supply.

