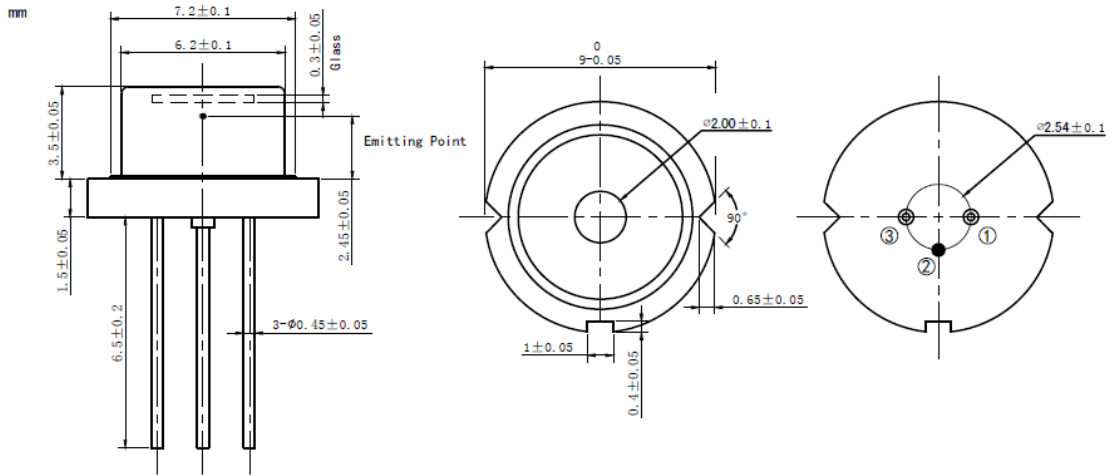


1064nm 150mw SM Laser Diode with PD | TO5 Package
1060nm~1064nm | Single Mode LD| 150mW Output Power | 9mm Package| Built-in Photodiodes
WSLD-1064-150m-2-PD
Wavespectrum Laser Group
www.wavespectrum-laser.com

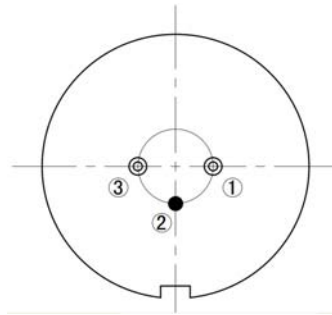
1064nm Laser Diode	150mW/TO5	Wavespectrum Laser Group	
Reverse Voltage	V_r	2.0	V
Operating Temperature	T_{op}	-10~+50	°C
Storage Temperature	T_{stg}	-40~+85	°C
Lead soldering temperature (10 sec.)	T_{is}	260	°C
Features: <ul style="list-style-type: none"> 1064nm Built-in PD Single Mode LD TO5 Package 			
Applications: <ul style="list-style-type: none"> Medical Laser Treatment Laser Indicator Others 			
Specifications	WSLD-1064-150m-2-PD		
	Min	Type	Max
Center Wavelength@25°C	+/-5nm	1064nm	+/-15nm
Spectral Width (FWHM)	----	2nm	----
Output Power	----	150mW	----
Emitter Size	----	4um*1um	----
Beam Divergence (FWHM)	----	38°± x 18° //	50°± x 25° //
Recommend Operating Temperature	25°C		
Slope Efficiency	----	0.7mW/mA	----
Threshold Current (Typ.)	----	35mA	60mA
Operating Current (Typ.)	----	260mA	280mA
Operating Voltage	----	1.8V	2.5V
Monitor Current	----	0.1mA	----
Package Style	TO5		

Wavespectrum Laser Group
www.wavespectrum-laser.com.cn
sales@wavespectrum-laser.com.cn


TO5(9mm) Package View



PIN Bottom View:



1	LD(-)
2	LD(+)&PD(-)
3	PD(+)

Electrically shorten LD module and store in non-extreme conditions.

Suggest using the constant current power supply.

