

1060nm~1064nm 40mW~50mW SM laser diode | Built-in Photodiode

1064nm 50mW Single Mode LD with 5.6mm TO18 Package

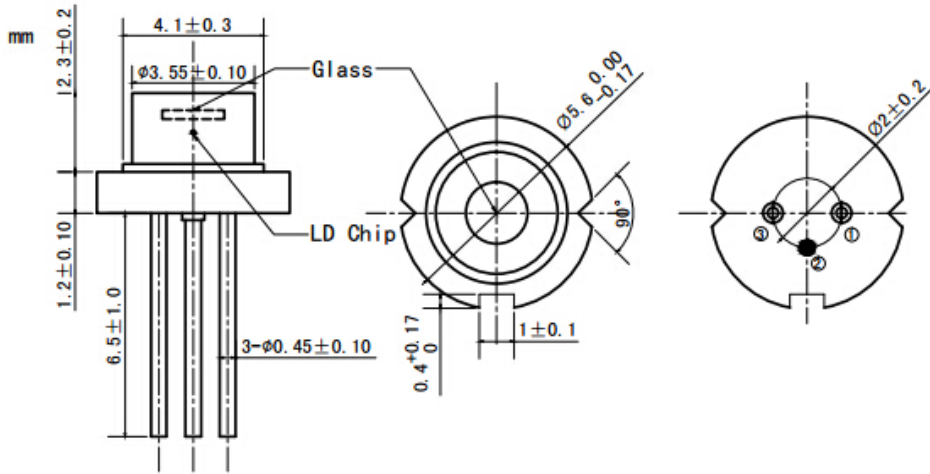
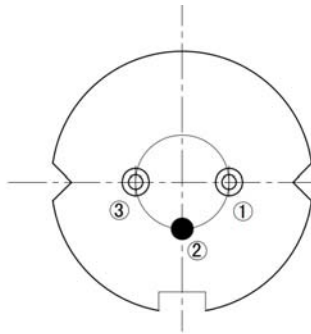
WSLD-1064-050m-1-PD

Wavespectrum laser Group.

www.wavespectrum-laser.com

1064nm Laser Diode		50mW/TO18		Wavespectrum Laser Group	
Reverse Voltage	V_r	2.0		V	
Operating Temperature	T_{op}	-10~+40		°C	
Storage Temperature	T_{stg}	-40~+85		°C	
Lead soldering temperature (10 sec.)	T_{is}	260		°C	
Features: <ul style="list-style-type: none"> 1064nm CW Built-in PD Single Mode LD TO18 Package 					
Applications: <ul style="list-style-type: none"> Medical Laser Treatment Laser Indicator Laser Detector 					
Specifications		WSLD-1064-050m-1-PD			
		Min	Type	Max	
Center Wavelength@25°C		±5nm	1064nm	±15nm	
Spectral Width (FWHM)		----	2.0nm	----	
Output Power		----	40mW	50mW	
Emitter Size		----	3um*1.5um	----	
Beam Divergence (FWHM)		----	20° ⊥ x 10° //	----	
Temperature Coefficient of Wavelength		----	0.3nm / °C	----	
Slope Efficiency		----	0.6mW/mA	----	
Threshold Current (Typ.)		----	20mA	45mA	
Operating Current (Typ.)		----	100mA	120mA	
Operating Voltage		----	2.0V	2.5V	
Monitor Current		----	0.1mA	----	
Package Style		TO18			



TO18(5.6mm) Package View

Pin Out View


1	LD(-)
2	LD(+) & PD(-)
3	PD(+)

Electrically shorten LD module and store in non-extreme conditions.
 Suggest using the constant current power supply.

