

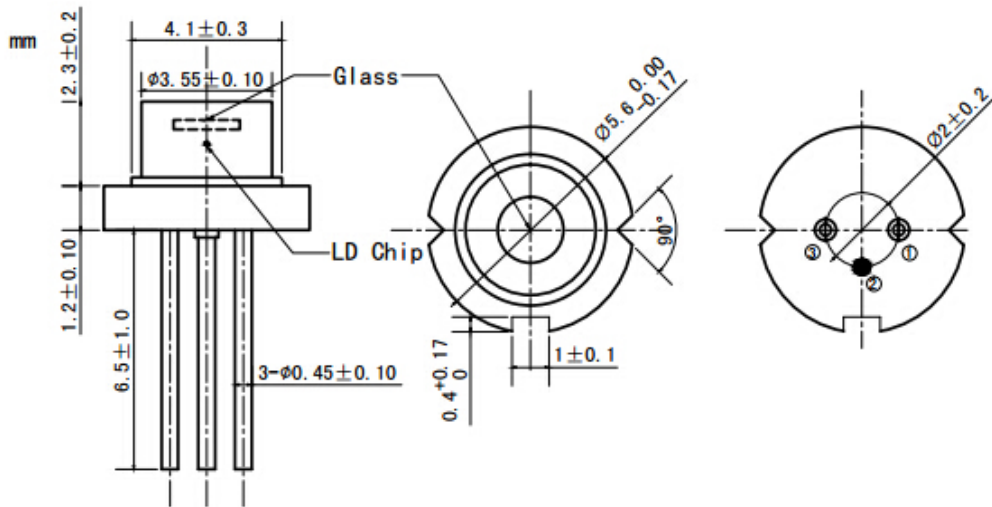
**980nm 50mW Laser Diode With TO18 | Built-in PD**  
**976nm~980nm Single Mode LD with 5.6mm TO18 Package**  
**WSLD-980-050m-1-PD**      **Wavespectrum Laser Group**

[www.wavespectrum-laser.com](http://www.wavespectrum-laser.com)

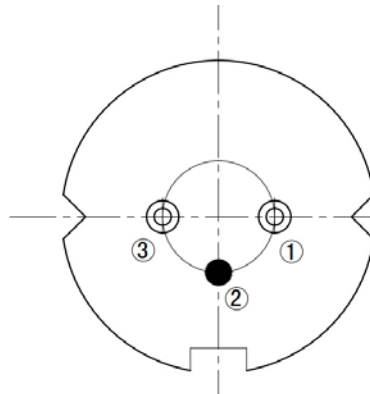
980nm Laser Diode	50mW/TO18	Wavespectrum Laser Group	
Reverse Voltage	$V_r$	2.0	V
Operating Temperature	$T_{op}$	-10~+40	°C
Storage Temperature	$T_{stg}$	-40~+85	°C
Lead soldering temperature (10 sec.)	$T_{is}$	260	°C
<b>Features:</b> <ul style="list-style-type: none"> <li>● 980nm</li> <li>● CW</li> <li>● Built-in PD</li> <li>● Single Mode LD</li> <li>● TO18 Package</li> </ul>			
<b>Applications:</b> <ul style="list-style-type: none"> <li>● Medical Laser Treatment</li> <li>● Laser Indicator</li> <li>● Laser Detector</li> </ul>			
<b>Specifications</b>	<b>WSLD-980-050m-1-PD</b>		
	Min	Type	Max
Center Wavelength@25°C	±5nm	976nm	±15nm
Spectral Width (FWHM)	----	2.0nm	----
Output Power	----	50mW	----
Recommended Operating Temperature	25°C		
Beam Divergence (FWHM)	----	35° <sub>⊥</sub> x 15° <sub>//</sub>	40° <sub>⊥</sub> x 20° <sub>//</sub>
Temperature Coefficient of Wavelength	----	0.3nm / °C	----
Slope Efficiency	----	0.8mW/mA	----
Threshold Current (Typ.)	----	15mA	30mA
Operating Current (Typ.)	----	75mA	85mA
Operating Voltage	----	1.6V	2.2V
Monitor Current	----	0.3mA	----
Package Style	TO18		



### TO18 Package View



### Pin Out View



1	LD(-)
2	LD(+)&PD(-)
3	PD(+)

