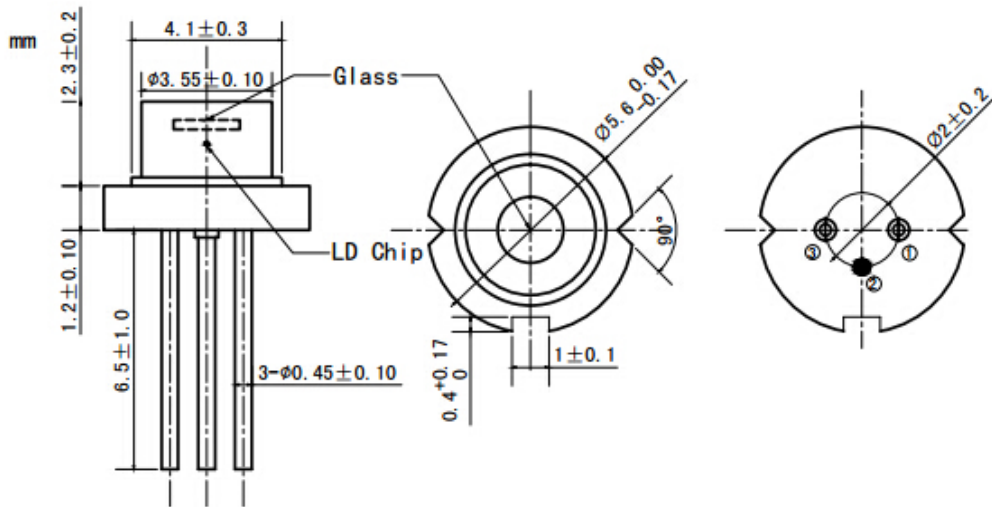


940nm 300mW Single Mode Laser Diode With TO18 Package | High stability
930nm~940nm Infrared LD with 5.6mm TO18 Package | With Photodiode
WSLD-940-300m-1-PD
Wavespectrum Laser Group
www.wavespectrum-laser.com

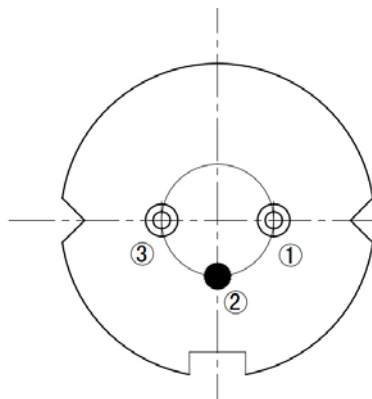
940nm Laser Diode		300mW/TO18		Wavespectrum Laser Group	
Reverse Voltage	V_r	2.0		V	
Operating Temperature	T_{op}	-10~+60		°C	
Storage Temperature	T_{stg}	-40~+85		°C	
Lead soldering temperature (10 sec.)	T_{is}	260		°C	
Features: <ul style="list-style-type: none"> 940nm 300mW Output Power CW Mode TO18 Package 					
Applications: <ul style="list-style-type: none"> Medical Laser Treatment Night Vision Laser Detector 					
Specifications		WSLD-940-300m-1-PD			
		Min	Type	Max	
Center Wavelength@25°C		±5nm	940nm	±15nm	
Spectral Width (FWHM)		----	2.0nm	----	
Output Power		----	300mW	----	
Recommended Operating Temp.		25°C			
Beam Divergence (FWHM)		----	28°± x 11°//	----	
Temperature Coefficient of Wavelength		----	0.3nm / °C	----	
Monitor Current		----	0.5mA	----	
PD Reverse Voltage		----	----	30V	
Threshold Current (Typ.)		----	20mA	50mA	
Operating Current (Typ.)		----	410mA	440mA	
Operating Voltage		----	2.2V	2.6V	
Package Style		TO18			



TO18 Package View



Pin Out View



1	LD(-)
2	LD(+) & PD(-)
3	PD(+)

Electrically shorten LD module and store in non-extreme conditions.
 Suggest using the constant current power supply.

