

525nm~530nm 80mW Laser Diode| Single mode Green LD | With Photodiode


525nm SM LD| 80mW Power| TO18 Package Green diode laser With PD

WSLD-525-080m-1-PD

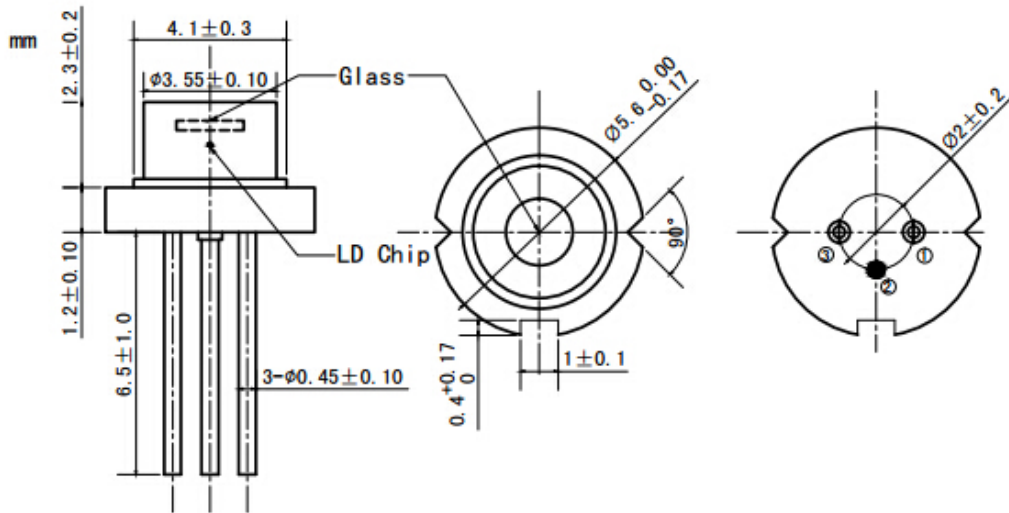
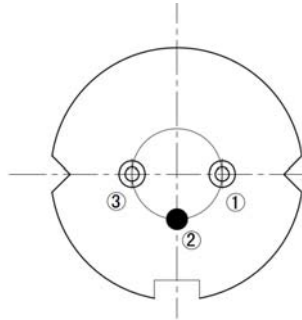
Wavespectrum Laser Group.

www.wavespectrum-laser.com

en.wavespectrum-laser.com.cn

525nm Laser Diode		80mW/TO18	
PARAMETER	SYMBOL	VALUE	UNIT
Reverse Voltage	$V_r$	2.0	V
Operating Temperature	$T_{op}$	-20~+60	°C
Storage Temperature	$T_{stg}$	-40~+85	°C
Lead soldering temperature (10 sec.)	$T_{is}$	260	°C
<b>Features:</b> <ul style="list-style-type: none"> <li>● 525nm</li> <li>● 80mW</li> <li>● Single Mode Beam</li> <li>● TO18 Package</li> <li>● Built-in Photodiode</li> </ul>			
<b>Applications:</b> <ul style="list-style-type: none"> <li>● Medical Laser Treatment</li> <li>● Laser Indicator</li> <li>● Laser Detector</li> </ul>			
<b>Specifications</b>		<b>WSLD-525-080m-1-PD</b>	
		Min	Type
Center Wavelength@25°C		±3nm	525nm
Spectral Width (FWHM)		2.0nm	
Output Power		----	80mW
Recommended Operating Temperature		25°C	
Beam Divergence (FWHM)		$5^\circ \perp \times 15^\circ //$	$8^\circ \perp \times 21^\circ //$
Monitor Current		----	0.1mA
Threshold Current (Typ.)		----	50mA
Operating Current (Typ.)		----	210mA
Operating Voltage		----	7.5V
Package Style		TO18	



**TO18(5.6mm) Package View**

**PIN Bottom View:**


1	LD(-)
2	LD(+)&PD(-)
3	PD(+)

Electrically shorten LD module and store in non-extreme conditions.

Suggest using the constant current power supply.

