



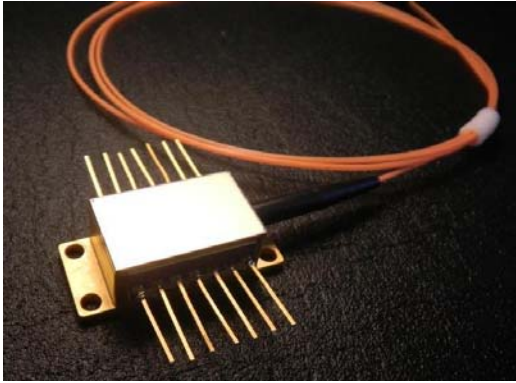
980nm 1W Fiber Coupled Laser Diode with Butterfly (BTF) Package | Built-in TEC cooler | With Photodiode
980nm 1W Pigtailed Diode Laser Module With 14-Pin Butterfly Package | Infrared LD Module
WSLX-980-001-H-T-PD Wavespectrum Laser Group www.wavespectrum-laser.com

980nm Pigtailed Diode Laser	1W/MM Fiber	en.wavespectrum-laser.com.cn
-----------------------------	-------------	------------------------------

PARAMETER	SYMBOL	VALUE	UNIT
Reverse Voltage	V_r	2.0	V
Operating Temperature	T_{op}	+10 ~ +30	°C
Storage Temperature	T_{stg}	-20 ~ +80	°C
Lead soldering temperature (5 sec.)	T_{is}	250	°C

Features:

- 980nm
- 14-Pin Butterfly Package
- Built-in TEC Cooler
- Built-in Photodiode



Applications:

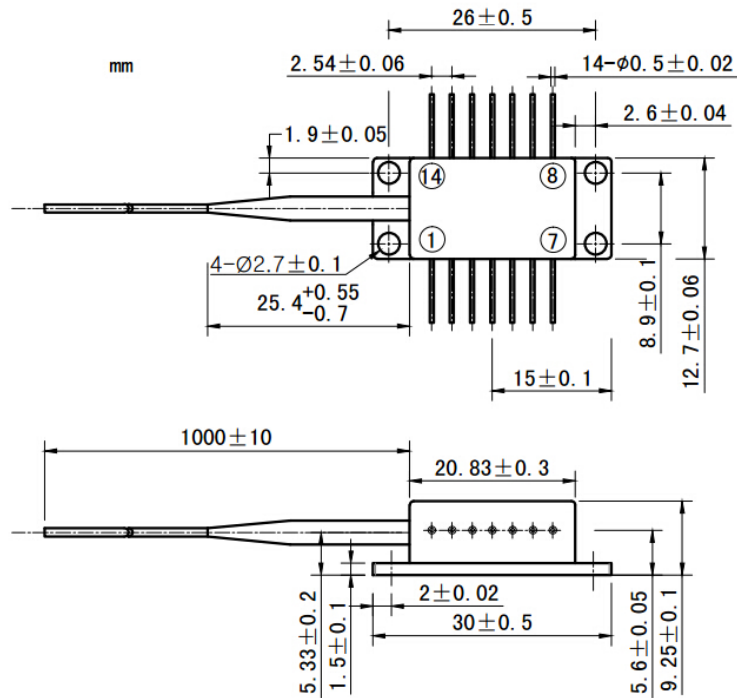
- Medical Laser Treatment
- Sensor
- Others

Specifications	WSLX-980-001-H-T-PD		
----------------	---------------------	--	--

	Min	Type	Max
Center Wavelength@25°C	±3nm	980nm	±10nm
Output Power		1W	
Spectral Width (FWHM)		2nm	
Recommend Operating Temperature		25°C	
Temperature Coefficient of Wavelength		0.3nm / °C	
Threshold Current (Typ.)		0.5A	
Operating Current (Typ.)		1.8A	
Operating Voltage		1.9V	
TEC Max Current		1.8A	
TEC Max Voltage		2.5V	
Thermistor		10K	
Fiber Core		105um	
N.A.		0.22	
Fiber Connector		FC/SMA905	
Fiber Length		80cm	
Package Style		14-Pin	



14-Pin Package View



Pin Out:

PIN	FUNCTION	PIN	FUNCTION
1	TEC(+)	14	TEC(-)
2	THERMISTOR	13	CASE
3	PD(+)	12	NC
4	PD(-)	11	LD(-)
5	THERMISTOR	10	LD(+)
6	NC	9	NC
7	NC	8	NC

Electrically shorten LD module and store in non-extreme conditions.

Suggest using the constant current power supply.

