


1450nm 2W Laser Diode with TO3 Package with FAC Lens

1450nm | 2W Power | High Power LD | TO3 Package | Square or Line Beam Optional

WSLD-1450-002-3

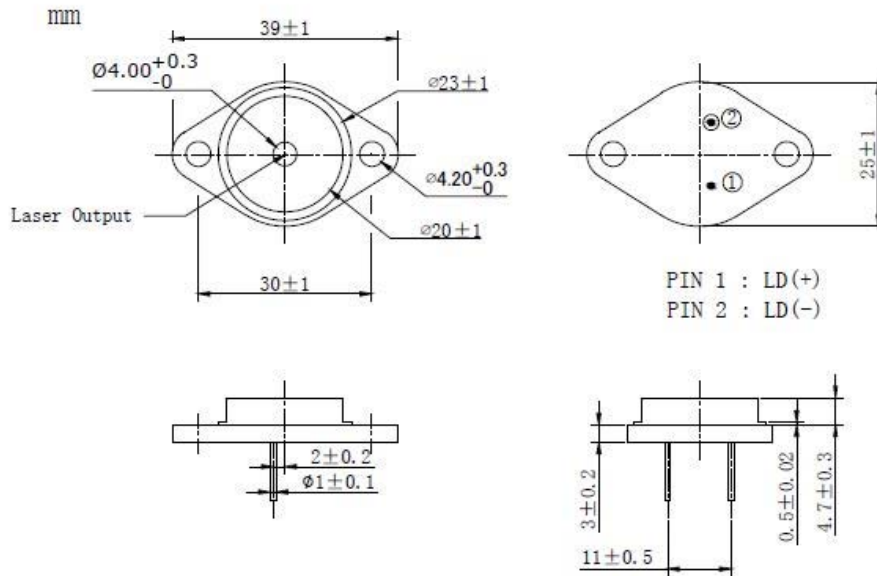
Wavespectrum Laser Group

www.wavespectrum-laser.com

1450nm Laser Diode 2W		Wavespectrum Laser Group	
Reverse Voltage	V_r	2.0	V
Operating Temperature	T_{op}	+15~+30	°C
Storage Temperature	T_{stg}	-40 ~ +60	°C
Lead soldering temperature (10 sec.)	T_{is}	260	°C
Features: <ul style="list-style-type: none"> ● 1450nm ● 2W Power ● TO3 Package ● FAC Lens Optional (Square Beam) 			
Applications: <ul style="list-style-type: none"> ● Medical laser treatment ● Others 			
Specifications	WSLD-1450-002-3		
	Min	Type	Max
Center Wavelength@25°C	+/-10nm	1450nm	+/-30nm
Spectral Width (FWHM)	----	6.0nm	10.0nm
Output Power	----	2W	----
Emitter Area	----	85x1µm	----
Beam Divergence (With FAC Lens)	----	8° _⊥ x 28° _{//}	----
Temperature Coefficient of Wavelength	----	0.7nm / °C	----
Slope Efficiency	----	0.5W/A	----
Threshold Current (Typ.)	----	400mA	----
Operating Current (Typ.)	----	4.5A	5A
Operating Voltage	----	1.4V	1.5V
Package Style	TO3		



T03 Package View



Electrically shorten LD module and store in non-extreme conditions.

Suggest using the constant current power supply.

