
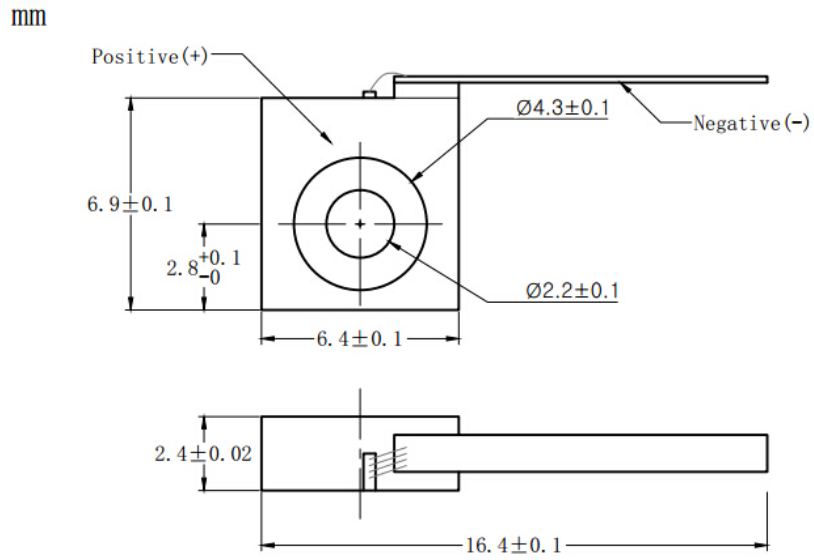


1450nm 2W Laser Diode with C-mount Package with FAC Lens
1450nm | 2W Power | High Power LD | C-mount Package | Square or Line Beam Optional
WSLD-1450-002-C **Wavespectrum Laser Group** **www.wavespectrum-laser.com**

1450nm Laser Diode 2W		Wavespectrum Laser Group	
Reverse Voltage	V_r	2.0	V
Operating Temperature	T_{op}	+10~+30	°C
Storage Temperature	T_{stg}	-20 ~ +80	°C
Lead soldering temperature (10 sec.)	T_{is}	260	°C
Features: <ul style="list-style-type: none"> 🔸 1450nm 🔸 2W Power 🔸 C-mount Package 🔸 FAC Lens Optional (Square Beam) 			
Applications: <ul style="list-style-type: none"> 🔸 Medical laser treatment 🔸 Others 			
Specifications		WSLD-1450-002-C	
		Min	Type
Center Wavelength@25°C		+/-10nm	1450nm
Spectral Width (FWHM)		----	6.0nm
Output Power		----	2W
Emitter Area		----	85x1µm
Beam Divergence (With FAC Lens)		----	8°_⊥ x 28°_{//}
Temperature Coefficient of Wavelength		----	0.7nm / °C
Slope Efficiency		----	0.5W/A
Threshold Current (Typ.)		----	0.5A
Operating Current (Typ.)		----	4.5A
Operating Voltage		----	1.5V
Package Style		C-mount	



C-mount Package View



**Electrically shorten LD module and store in non-extreme conditions.
 Suggest using the constant current power supply.**

