


1330nm 1W Laser Diode with C mount package | FAC Lens | High Power LD 1330nm| 1W Power |C-mount Package | Square or Line Beam Optional

WSLD-1330-001-C

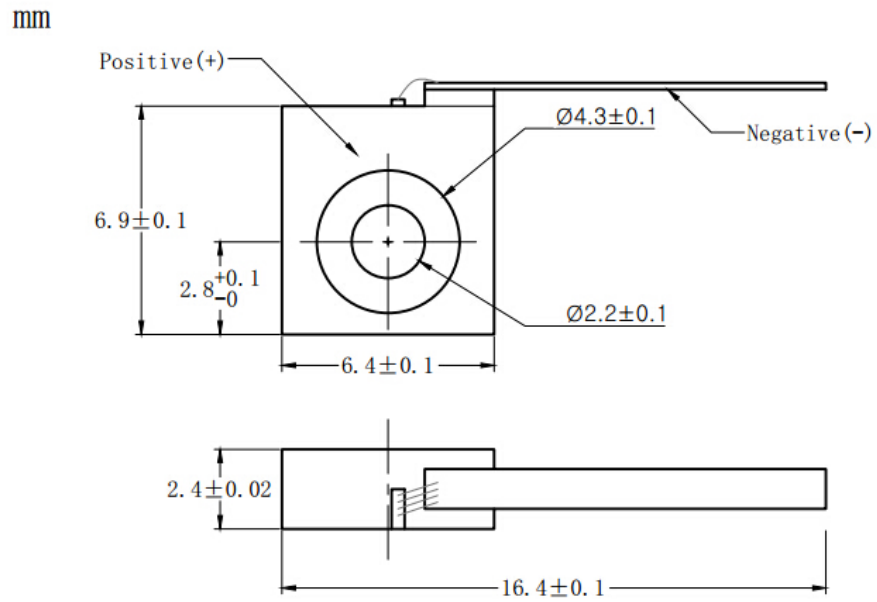
Wavespectrum Laser Group

www.wavespectrum-laser.com

| 1330nm Laser Diode 1W | | Wavespectrum Laser Group | |
|---|-----------|--|-------------------------------------|
| Reverse Voltage | V_r | 2.0 | V |
| Operating Temperature | T_{op} | +10~+30 | °C |
| Storage Temperature | T_{stg} | -20 ~ +80 | °C |
| Lead soldering temperature (10 sec.) | T_{is} | 260 | °C |
| Features: <ul style="list-style-type: none"> 1330nm 1W Power C-mount Package FAC Lens Optional (Square or Line Beam) | |  | |
| Applications: <ul style="list-style-type: none"> Medical laser treatment Others | | | |
| Specifications | | WSLD-1330-001-C | |
| | | Min | Type |
| Center Wavelength@25°C | | +/-10nm | 1330nm |
| Spectral Width (FWHM) | | ---- | 6.0nm |
| Output Power | | ---- | 1W |
| Emitter Area | | ---- | 85x1µm |
| Beam Divergence (With FAC Lens) | | ---- | 8° _⊥ x 28° _{//} |
| Temperature Coefficient of Wavelength | | ---- | 0.7nm / °C |
| Slope Efficiency | | ---- | 0.55W/A |
| Threshold Current (Typ.) | | ---- | 350mA |
| Operating Current (Typ.) | | ---- | 2.1A |
| Operating Voltage | | ---- | 1.3V |
| Package Style | | C-mount | |



C-mount Package View



Electrically shorten LD module and store in non-extreme conditions.

Suggest using the constant current power supply.

