


1310nm 1W Laser Diode with C mount package | FAC Lens | High Power LD
1310nm~1320nm| 1W Power |C-mount Package | Square or Line Beam Optional

WSLD-1310-001-C

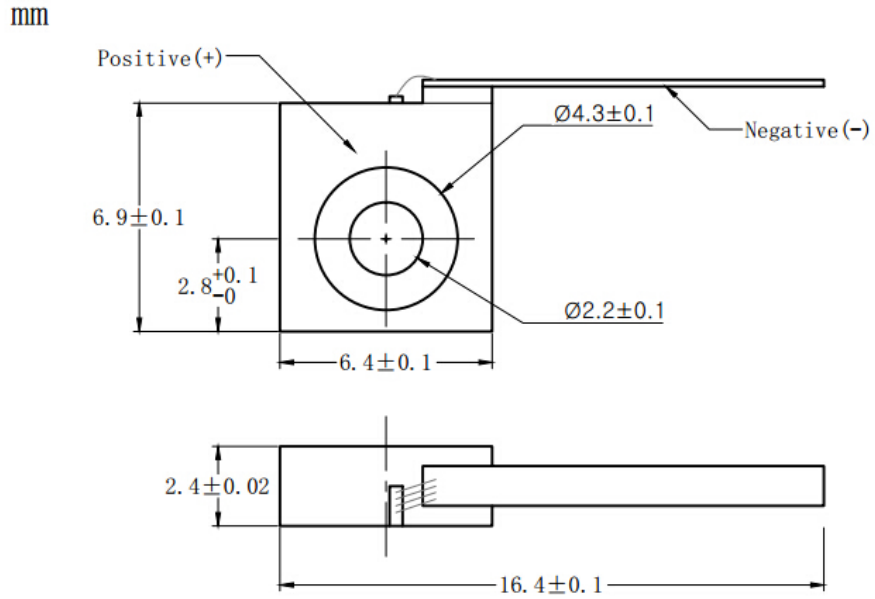
Wavespectrum Laser Group

www.wavespectrum-laser.com

1310nm Laser Diode 1W		Wavespectrum Laser Group		
Reverse Voltage	V_r	2.0	V	
Operating Temperature	T_{op}	+10~+30	°C	
Storage Temperature	T_{stg}	-20 ~ +80	°C	
Lead soldering temperature (10 sec.)	T_{is}	260	°C	
Features: <ul style="list-style-type: none"> 1310nm 1W Power C-mount Package FAC Lens Optional (Square or Line Beam) 				
Applications: <ul style="list-style-type: none"> Medical laser treatment Others 				
Specifications		WSLD-1310-001-C		
		Min	Type	Max
Center Wavelength@25°C		+/-10nm	1310nm	+/-30nm
Spectral Width (FWHM)		----	6.0nm	10.0nm
Output Power		----	1W	----
Emitter Area		----	85x1µm	----
Beam Divergence (With FAC Lens)		----	8° _⊥ x 28° _{//}	----
Temperature Coefficient of Wavelength		----	0.7nm / °C	----
Slope Efficiency		----	0.55W/A	----
Threshold Current (Typ.)		----	350mA	----
Operating Current (Typ.)		----	2.1A	2.4A
Operating Voltage		----	1.3V	1.5V
Package Style		C-mount		



C-mount Package View



Electrically shorten LD module and store in non-extreme conditions.

Suggest using the constant current power supply.

