


1060nm~1064nm 5W Laser Diodes with TO3 Package

1064nm 5W High Power LD | TO Can Package | Square Beam Optional

WSLD-1064-005-3

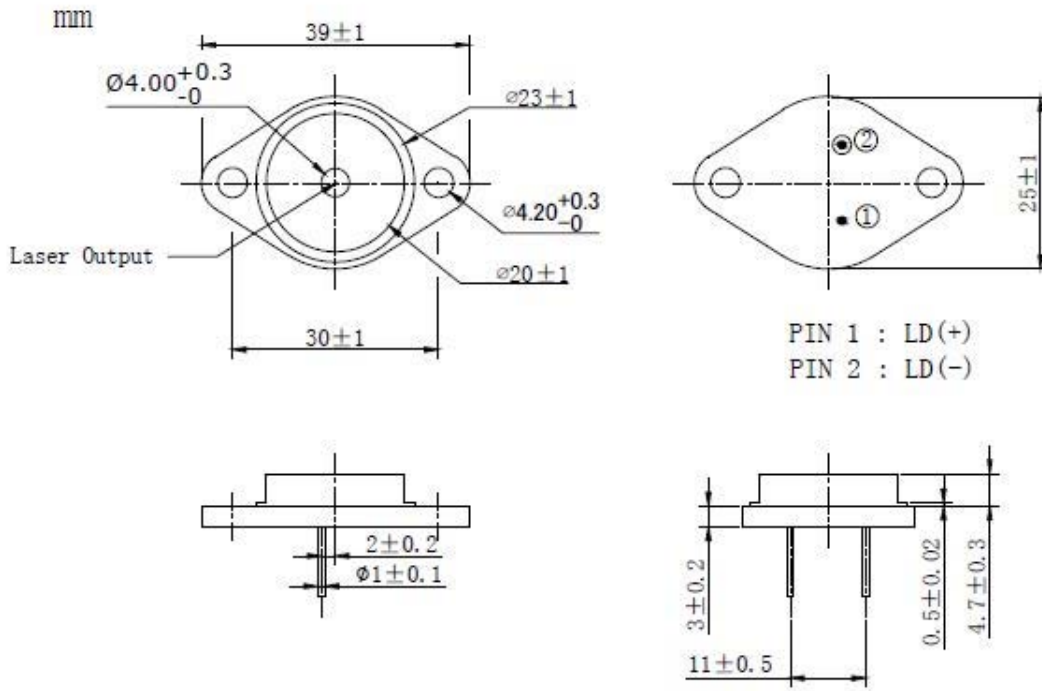
Wavespectrum Laser Group

www.wavespectrum-laser.com

1064nm Laser Diode		Wavespectrum Laser Group	
Reverse Voltage	V_r	2.0	V
Operating Temperature	T_{op}	+10~+30	°C
Storage Temperature	T_{stg}	-20~+80	°C
Lead soldering temperature (10 sec.)	T_{is}	260	°C
Features: <ul style="list-style-type: none"> 1064nm CW Mode 5W Output Power TO3 Package 			
Applications: <ul style="list-style-type: none"> Medical Laser Treatment Night Version Others 			
Specifications	WSLD-1064-005-3		
	Min	Type	Max
Center Wavelength@25°C	+/-5nm	1064nm	+/-20nm
Spectral Width (FWHM)	----	4.0nm	----
Output Power	----	5W	----
Emitter Area	135x1μm		
Beam Divergence (FWHM)	----	32°± x 8°//	42°± x 10°//
Temperature Coefficient of Wavelength	----	0.4nm / °C	----
Slope Efficiency	----	0.85mW/mA	----
Threshold Current (Typ.)	----	0.5A	0.7A
Operating Current (Typ.)	----	6.5A	7.0A
Operating Voltage	----	1.7V	2.0V
Package Style	TO3		



C-mount Package



Electrically shorten LD module and store in non-extreme conditions.
Suggest using the constant current power supply.



Wavespectrum Laser Group
www.wavespectrum-laser.com
sales@wavespectrum-laser.com

