


1060nm~1064nm 5W Laser Diodes with C-mount/ TO3 Package

1064nm 5W High Power LD | C-mount Package | Square Beam Optional

WSLD-1064-005-C

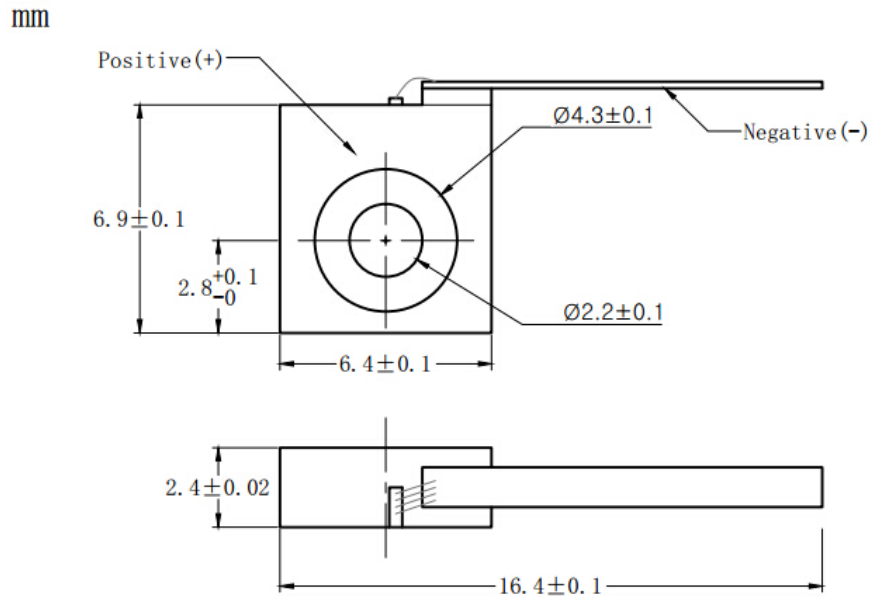
Wavespectrum Laser Group

www.wavespectrum-laser.com

1064nm Laser Diode		5W	Wavespectrum Laser Group	
Reverse Voltage	V_r	2.0	V	
Operating Temperature	T_{op}	+10~+30	°C	
Storage Temperature	T_{stg}	-20~ +80	°C	
Lead soldering temperature (10 sec.)	T_{is}	260	°C	
Features: <ul style="list-style-type: none"> 1064nm CW Mode 5W Output Power C-mount Package 				
Applications: <ul style="list-style-type: none"> Medical Laser Treatment Night Version Others 				
Specifications		WSLD-1064-005-C		
		Min	Type	Max
Center Wavelength@25°C		+/-5nm	1064nm	+/-20nm
Spectral Width (FWHM)		----	4.0nm	----
Output Power		----	5W	----
Emitter Area		135x1µm		
Beam Divergence (FWHM)		----	32°± x 8°//	42°± x 10°//
Temperature Coefficient of Wavelength		----	0.4nm / °C	----
Slope Efficiency		----	0.85mW/mA	----
Threshold Current (Typ.)		----	0.5A	0.7A
Operating Current (Typ.)		----	6.5A	7.0A
Operating Voltage		----	1.7V	2.0V
Package Style		C-mount		



C-mount Package



**Electrically shorten LD module and store in non-extreme conditions.
Suggest using the constant current power supply.**



Wavespectrum Laser Group
www.wavespectrum-laser.com
sales@wavespectrum-laser.com

