

515nm~520nm 50mw~60mw Laser Diode| High power Green LD | TO18 Package

520nm LD| 60mw Power|5.6mm Package Green diode laser

WSLD-520-060m-1

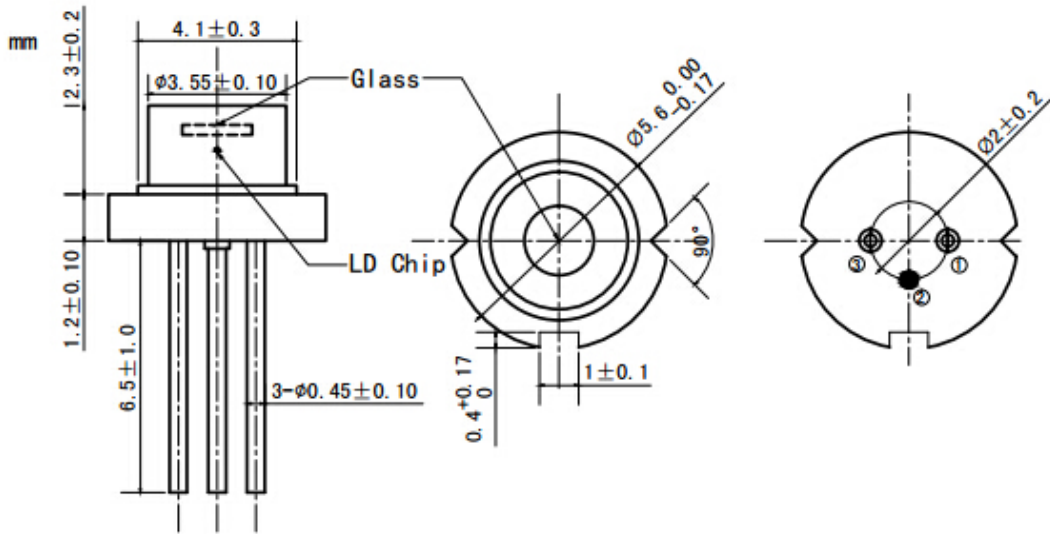
Wavespectrum Laser Group.

www.wavespectrum-laser.com

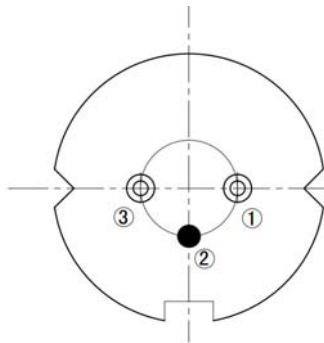
520nm Laser Diode 60mw		Wavespectrum Laser Group	
PARAMETER	SYMBOL	VALUE	UNIT
Reverse Voltage	V_r	2.0	V
Operating Temperature	T_{op}	0 ~ +60	°C
Storage Temperature	T_{stg}	-40 ~ +85	°C
Lead soldering temperature (10 sec.)	T_{is}	260	°C
Features: <ul style="list-style-type: none"> ● 520nm ● 60mW ● 5.6mm Package 			
Applications: <ul style="list-style-type: none"> ● Medical laser treatment ● Laser indicator ● Laser detector 			
Specifications	WSLD-520-060m-1		
	Min	Type	Max
Center Wavelength@25°C	510nm	520nm	530nm
Spectral Width (FWHM)	2.0nm		
Output Power	----	60mW	----
Laser mode	Multimode		
Beam Divergence (FWHM)	$4^\circ \perp \times 18^\circ //$	$7^\circ \perp \times 21^\circ //$	$12^\circ \perp \times 26^\circ //$
Threshold Current (Typ.)	----	140mA	200mA
Operating Current (Typ.)	----	350mA	380mA
Operating Voltage	----	6.5V	7.5V
Package Style	TO18		



PIN Bottom View:



PIN Bottom View:



1	LD(+)
2	GND
3	LD(-)

Electrically shorten LD module and store in non-extreme conditions.

Suggest using the constant current power supply.

