

658nm~660nm 500mW High Power Laser Diode| C-mount Package| High Power Red LD

660nm 0.5W C-mount Package Red Laser Diodes | FAC Optional

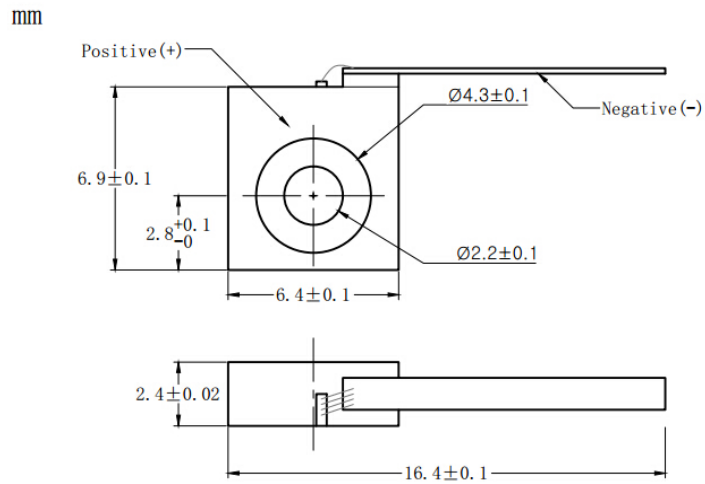
WSLD-660-500m-C

Wavespectrum Laser Group

660nm Laser Diode 0.5W		Wavespectrum Laser Group	
PARAMETER	SYMBOL	VALUE	UNIT
Reverse Voltage	$V_r$	2.0	V
Operating Temperature	$T_{op}$	+10~+20	°C
Storage Temperature	$T_{stg}$	-20~ +80	°C
Lead soldering temperature (10 sec.)	$T_{is}$	260	°C
<b>Features:</b> <ul style="list-style-type: none"> <li>● 660nm</li> <li>● High power ,CW, Multi-mode</li> <li>● High Quality</li> <li>● C-mount package</li> </ul>			
<b>Applications:</b> <ul style="list-style-type: none"> <li>● Medical laser treatment</li> <li>● Laser indicator</li> <li>● Laser detector</li> </ul>			
<b>Specifications</b>		<b>WSLD-660-500m-C</b>	
	<b>Min</b>	<b>Type</b>	<b>Max</b>
Center Wavelength@18°C	±3nm	658nm	±5nm
Spectral Width (FWHM)		2nm	
Output Power		500mW	
Emitter Area		100x1μm	
Beam Divergence (FWHM)		35° <sub>⊥</sub> x 8° <sub>//</sub>	
Temperature Coefficient of Wavelength		0.25nm / °C	
Slope Efficiency		1.0W/A	
Threshold Current (Typ.)		0.5A	
Operating Current (Typ.)		1.0A	
Operating Voltage		2.2V	
Package Style		C-mount	
Recommend Operation Temp		≤18°C	



## C-mount Package View



**Electrically shorten LD module and store in non-extreme conditions.  
Suggest using the constant current power supply.**

