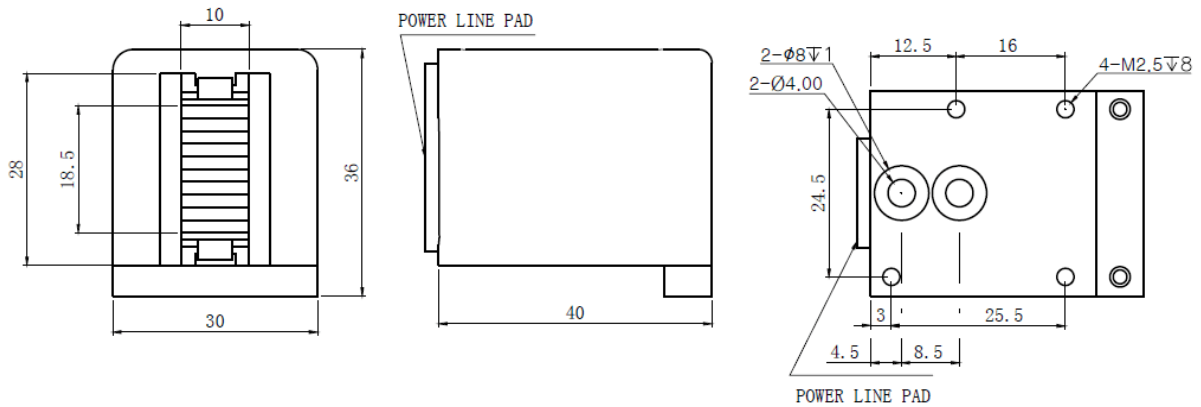


808nm~810nm 500W Vertical Diode Laser Stacked Array | Macro-Channel Water Cooled | Laser Diode Bar
808nm 500W QCW High Power Vertical Stack Diode Laser | Hair Removal| Skin Whitening| Laser Pumping
WSLBR-808-500-VS **Wavespectrum Laser Group** **www.wavespectrum-laser.com.cn**

808nm Vertical Diode Laser Stack 500W		Wavespectrum Laser Group	
PARAMETER	SYMBOL	VALUE	UNIT
Reverse Voltage	V_r	2.0	V
Operating Temperature	T_{op}	+15 ~ +25	°C
Storage Temperature	T_{stg}	-20 ~ +85	°C
Lead soldering temperature (10 sec.)	T_{is}	260	°C
Features: <ul style="list-style-type: none"> ● 808nm ● QCW Mode ● Macro-Channel Water Cooled ● Hard Solder Conduction Cooled Package 			
Applications: <ul style="list-style-type: none"> ● Medical Laser Treatment ● Laser Pumping 			
Specifications		WSLBR-808-500-VS	
		Min	Type
Center Wavelength@25°C		±3nm	808nm
Output Power		----	500W
Number of Bar			10
Emitter Size			10mm* 18.5mm
Bar-to-Bar Spacing			2mm
Beam Divergence (FWHM)		----	35° _⊥ x 10° _{//}
Threshold Current (Typ.)		----	11A
Operating Current (Typ.)		----	50A
Operating Voltage		----	19V
Pulse Width			400ms
Duty Cycle			40%
Power Conversion Efficiency			48%
Package Style		Vertical Stack	
Cooling Fluid Type		Deionized Water	
Water Filter		----	20um
Flow Rate			3.5lpm
Water Pressure		0.4MPa	0.5MPa
Recommended Operating Temperature		20°C	



Package View



Note:

- (1) For the standard Vertical Stack Diode Laser Array, the Coolant in/out is at the bottom of Array if customers need it at the side(back), it is also available.
- (2) We can **customize** the **Dimension** of the **Diode Laser Bar** according to the customer's request.
- (3) We can **customize** the **Output Power** of **Diode Laser Bar** according to the customer's request.

