


660nm 1W TO Can Laser Diode | High Power Red LD with TO3 Package

658nm~660nm 1W Laser Diode | TO3 Package LD | FAC Optional

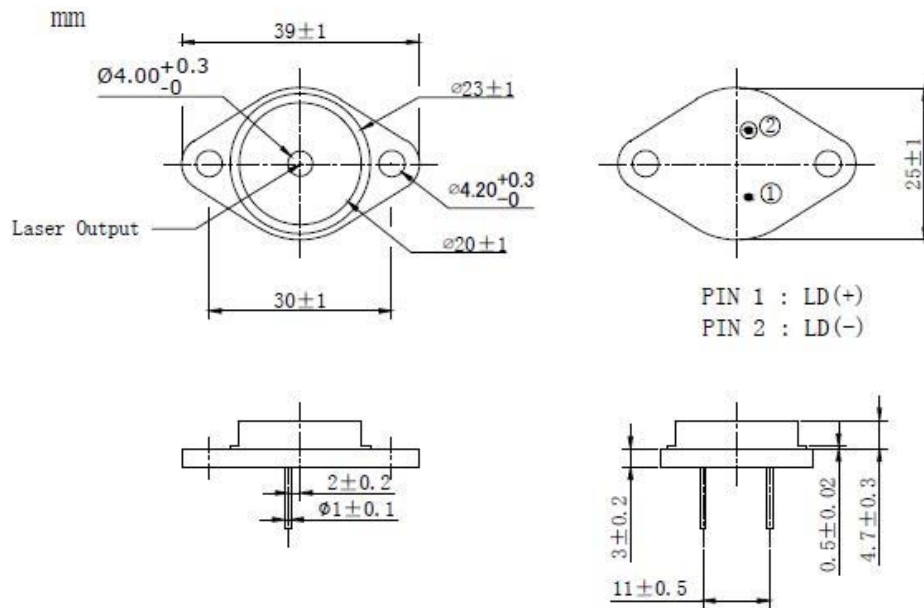
WSLD-660-001-3

Wavespectrum Laser Group

660nm Laser Diode 1W		Wavespectrum Laser Group	
PARAMETER	SYMBOL	VALUE	UNIT
Reverse Voltage	V_r	2.0	V
Operating Temperature	T_{op}	+10~+20	°C
Storage Temperature	T_{stg}	-20~ +80	°C
Lead soldering temperature (10 sec.)	T_{is}	260	°C
Features: <ul style="list-style-type: none"> • 660nm • High power ,CW, Multi-mode • High Quality • TO3 package 			
Applications: <ul style="list-style-type: none"> • Medical laser treatment • Laser indicator • Laser detector 			
Specifications		WSLD-660-001-3	
		Min	Type
		Max	
Center Wavelength@25°C		±3nm	658nm
Spectral Width (FWHM)			2nm
Output Power			1W
Emitter Area			150x1µm
Beam Divergence (FWHM)			35° _⊥ x 8° _{//}
Temperature Coefficient of Wavelength			0.25nm / °C
Slope Efficiency			1.0W/A
Threshold Current (Typ.)			0.55A
Operating Current (Typ.)			1.65A
Operating Voltage			2.4V
Package Style			TO3



T03 Package View



**Electrically shorten LD module and store in non-extreme conditions.
 Suggest using the constant current power supply.**



Wavespectrum Laser Group
www.wavespectrum-laser.com
sales@wavespectrum-laser.com

