

660nm 1W High Power Laser Diode| C-mount Package| High Power Red LD| FAC Optional

658nm~660nm 1W C-mount Diode Laser | Red Laser Diodes

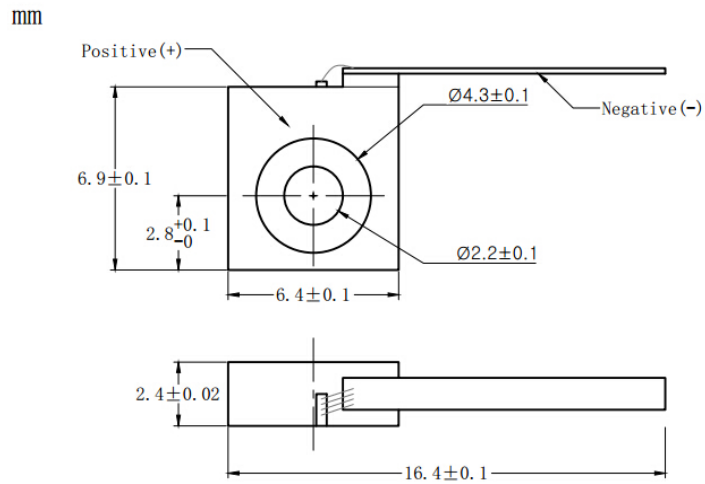
WSLD-660-001-C

Wavespectrum Laser Group

660nm Laser Diode 1W		Wavespectrum Laser Group	
PARAMETER	SYMBOL	VALUE	UNIT
Reverse Voltage	V_r	2.0	V
Operating Temperature	T_{op}	+10~+20	°C
Storage Temperature	T_{stg}	-20~ +80	°C
Lead soldering temperature (10 sec.)	T_{is}	260	°C
Features: <ul style="list-style-type: none"> ● 660nm ● High power ,CW, Multi-mode ● High Quality ● C-mount package 			
Applications: <ul style="list-style-type: none"> ● Medical laser treatment ● Laser indicator ● Laser detector 			
Specifications		WSLD-660-001-C	
	Min	Type	Max
Center Wavelength@18°C	±3nm	658nm	±5nm
Spectral Width (FWHM)		2nm	
Output Power		1W	
Emitter Area		150x1μm	
Beam Divergence (FWHM)		35° _⊥ x 8° _{//}	
Temperature Coefficient of Wavelength		0.25nm / °C	
Slope Efficiency		1.0W/A	
Threshold Current (Typ.)		0.55A	
Operating Current (Typ.)		1.65A	
Operating Voltage		2.4V	
Package Style		C-mount	
Recommend Operation Temp		≤18°C	



C-mount Package View



**Electrically shorten LD module and store in non-extreme conditions.
Suggest using the constant current power supply.**

