

660nm 2W Fiber Coupled Laser Diode Module with TEC Cooling | High Power Red LD Module
658nm~660nm 2W Red Diode Laser Module| HHL Package| 300um 400um Multi-mode Fiber
WSLB-660-002-H
Wavespectrum Laser Group
www.wavespectrum-laser.com

PARAMETER	SYMBOL	VALUE	UNIT
Reverse Voltage	V_r	2.0	V
Operating Temperature	T_{op}	+10 ~ +20	°C
Storage Temperature	T_{stg}	-20 ~ +80	°C
Lead soldering temperature (10 sec.)	T_{is}	260	°C

Features:

- 660nm
- **Built-in** TEC Cooler
- Photodiodes Optional
- Stainless Steel Armor Optional

Applications:

- Medical Laser Treatment
- Others

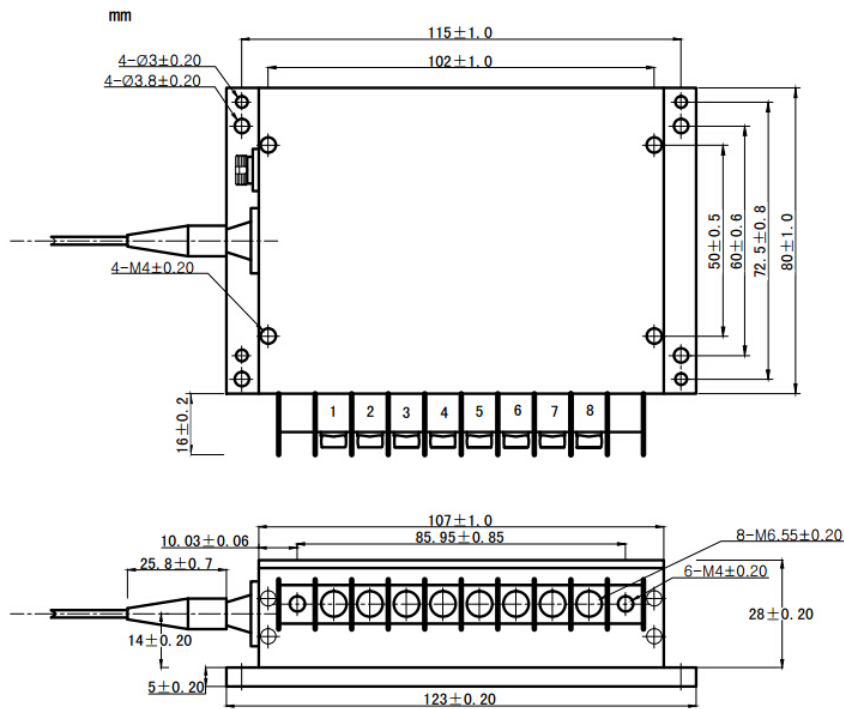

Specifications
WSLB-660-002-H

	Min.	Type	Max.
Center Wavelength@25°C	±3nm	658nm	±5nm
Spectral Width (FWHM)	----	5nm	----
Output Power	----	2W	----
Temperature Coefficient of Wavelength	----	0.25nm / °C	----
Threshold Current (Typ.)	----	550mA	----
Operating Current (Typ.)	----	1650mA	----
Operating Voltage		7.5V	
TEC Max Current	6A		
TEC Max Voltage	15.6V		
Thermistor	10k@25 °C		
Recommend Operating Temperature	≤18°C		
Fiber Core Diameter	<300um		
Fiber Numerical Aperture	0.22NA		
Fiber Length	100cm		
Connector Type	SMA905/FC		
Package	P2 Package		

sales@wavespectrum-laser.com



Package View



Electrically shorten LD module and store in non-extreme conditions.
Suggest using the constant current power supply.



Wavespectrum Laser Group
www.wavespectrum-laser.com
sales@wavespectrum-laser.com



